

JOHN W. HOCK COMPANY

Insect Sampling Devices

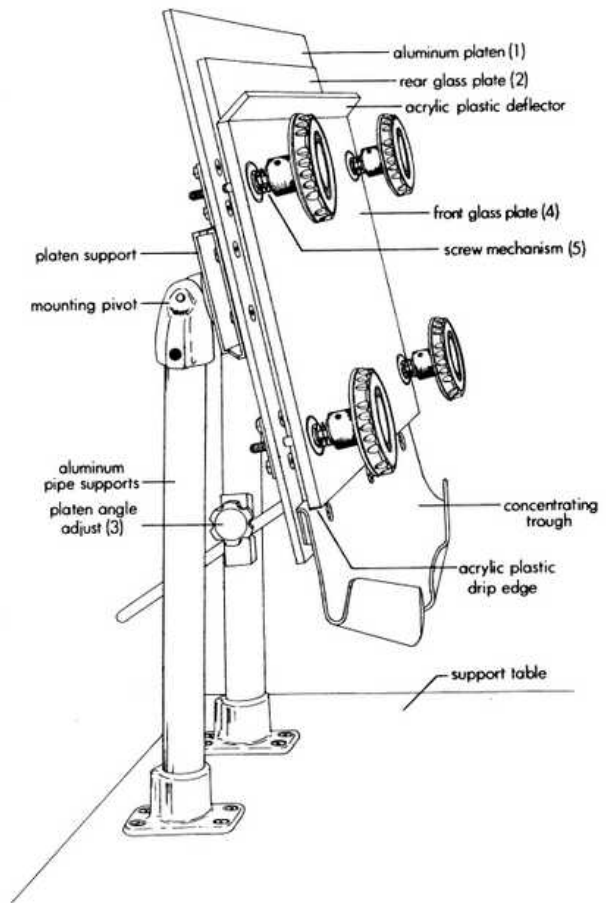
<http://JohnWHock.com>

7409 N.W. 23rd Avenue, Gainesville, FL 32606

(352) 378-3209 - FAX (352) 372-1838 - E-mail jwhock@johnwhock.com

Wednesday, January 5, 2022

A few of the Model 5412 Larval-Pupal Separators units shipped between July and December 2021 may need an additional part for the platen angle adjust connection between the aluminum platen (1) and the platen angle adjust (3) as shown in the figure to the right.



The figure to the left shows the vertical aluminum pipe support with the slotted arm attached to the back of the platen (1).

Below are shown the stand-off part between the angle of the platen (1) from both sides. If you have any problem adding the stand-off, please give a call or email and we will get back to you promptly.

